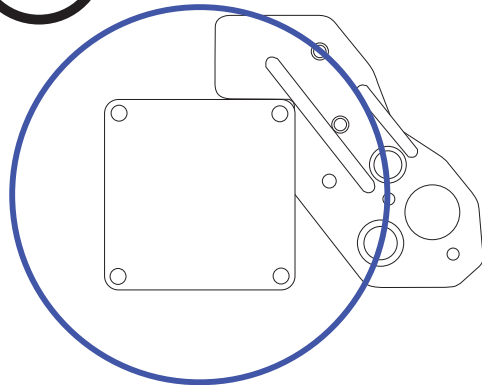
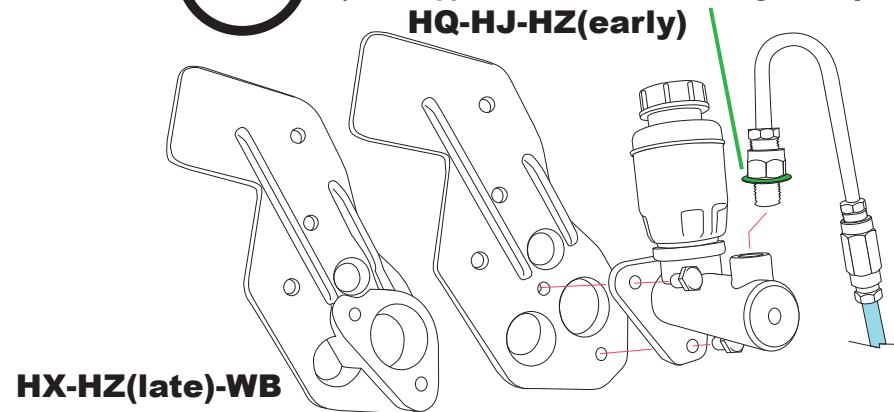


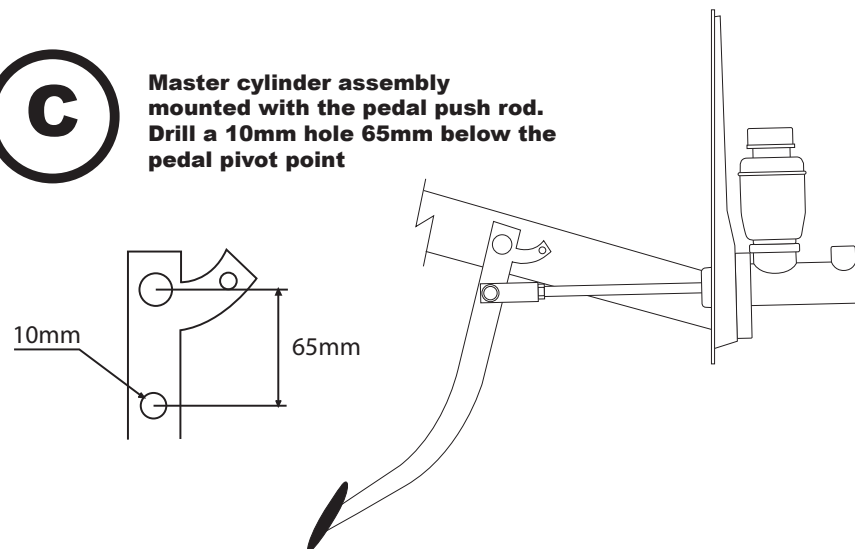
A Bracket mounting on firewall in relation to the brake booster (blue circle)



B Master cylinder assembly showing different brackets for different models (note copper washer between fittings and cylinder)
HQ-HJ-HZ(early)



C Master cylinder assembly mounted with the pedal push rod. Drill a 10mm hole 65mm below the pedal pivot point



D Slave cylinder assembly (note copper washer between fittings and cylinder)

